

MUSTANG AERONAUTICS, INC.

1470 Temple City
Troy, MI 48084

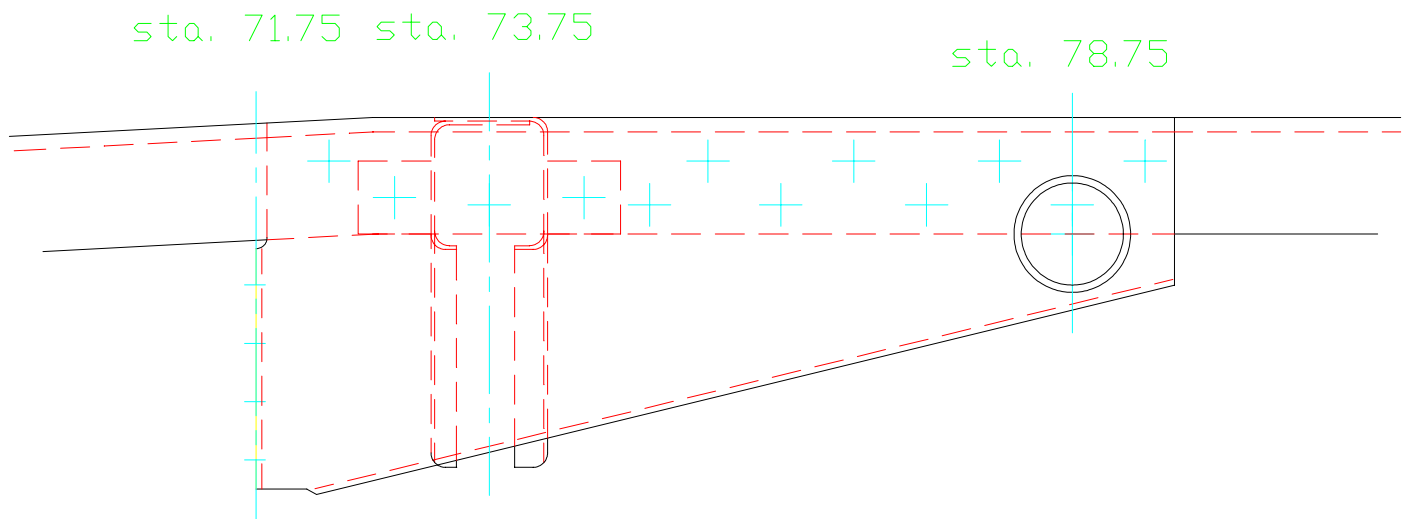
(248) 649-6818
fax (248) 649-0098
<http://www.MustangAero.com>

Mustang II Service Bulletin

DATE: 7/06/2000

SUBJECT: T-18 Canopy Installation

When using the T-18 style canopy on the Mustang II, the roll bar assembly needs to be moved aft for a proper fit of the windscreen. The T-18 roll bar is moved 6 inches aft as shown below. The roll bar attach bracket (240-203) is stretched and a reinforcing gusset (240-368) installed between it and the sta. 73.75 vertical bulkheads. The roll bar brace (240-210) is also lengthened from 17 inches to 22.125 inches.

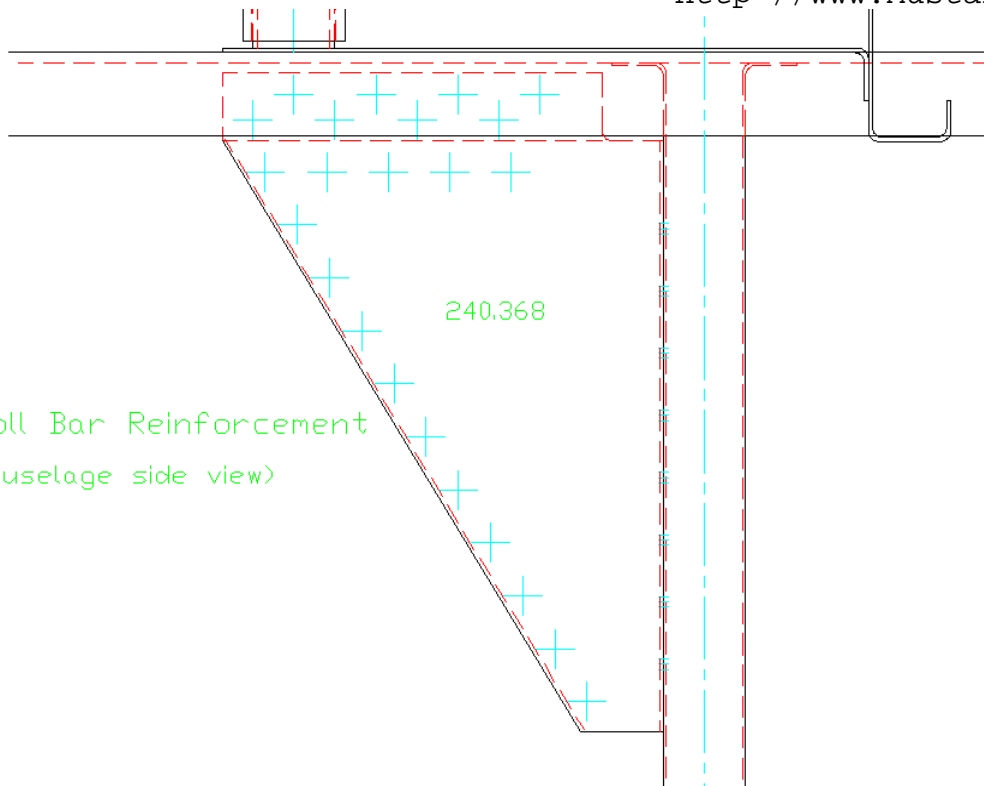


Top View T-18 Roll Bar Attachment

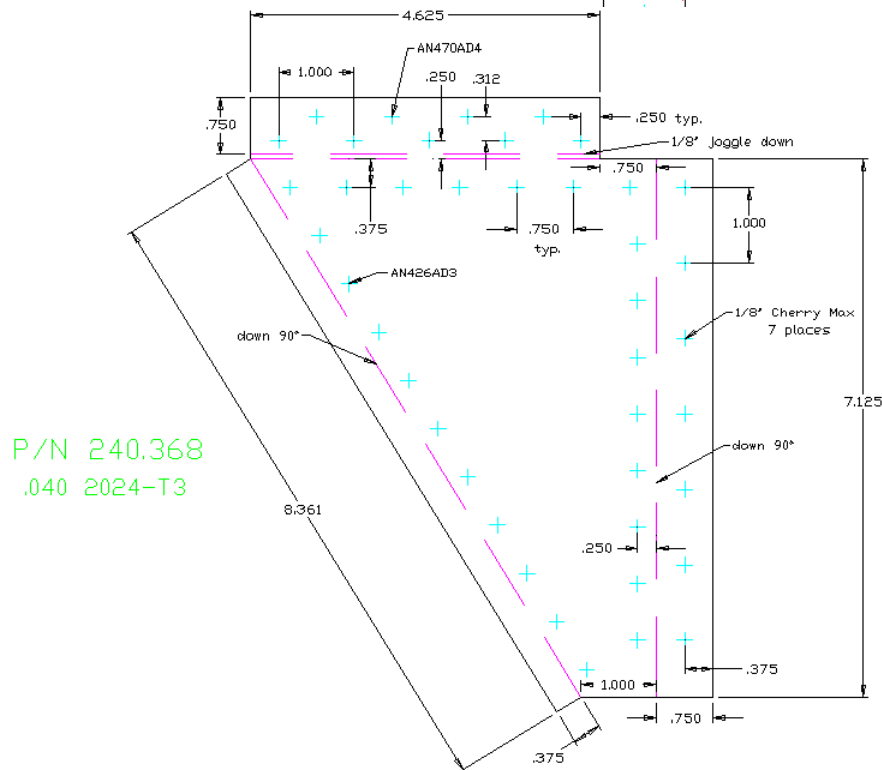
MUSTANG AERONAUTICS, INC.

1470 Temple City
Troy, MI 48084

(248) 649-6818
fax (248) 649-0098
<http://www.MustangAero.com>



T-18 Roll Bar Reinforcement
(fuselage side view)



P/N 240.368
.040 2024-T3